



## Bulk Bag Filling

Dust-free filling and weighing of  
Bulk Bags, Rigid Bins, Drums and IBCs

# Bulk Bag Weigh Fillers

## DESIGNED FOR VERSATILITY. BUILT FOR ADAPTABILITY.

Over 100 million bulk bags are sold each year worldwide, proving they are now a well established form of packaging, storage and transport - and not just from an economic standpoint.

Processors have a viable alternative to handling and disposing of large numbers of dusty 50 lb (25kg) bags, because Spiroflow equipment makes filling and discharging from bulk bags safer, easier, more controllable, and dust-free. Continuous development of our filling stations allows the choice of standard or customized equipment to suit access, height or hazard considerations. Our filling stations are also the most versatile on the market - they can be adapted for use with rigid bins, drums, and IBCs.

Customers using our filling stations come from the food, dairy, chemicals, pharmaceuticals, plastics, building products and minerals industries. In addition to standard features including bag/liner inflation and inflatable neck seal, a wide range of optional equipment is available to satisfy process requirements such as spinner filling heads, vibratory bases for bag compaction, automatic bag removal, pallet dispensers and take-off conveyors.



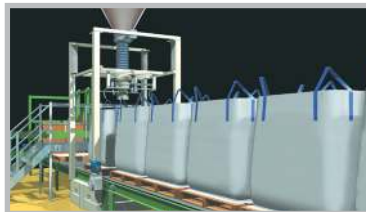
Filling materials in bulk bags and 50 lb (25kg) bags in a minerals processing plant



Automatic bag loop release



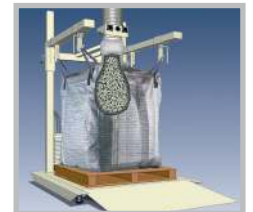
Handling by pallet



Semi-automated bulk bag filling system



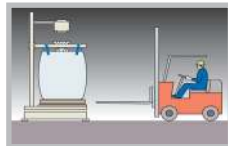
Handling by loops



Low profile filler

## Determining Your Requirements

Before selecting a particular weigh filler, some key factors need to be considered. This not only helps to assess a customer's own particular needs, but also assists our design engineers in determining the optimum system for those needs.



Q. How do we handle the bulk bag?  
A. By pallet or by the bag loops.



Q. What bag style and size do we use?  
A. At this stage, you should consult both the bag manufacturer and Spiroflow. The bag needs to optimize all its volume for safe storage and transport.



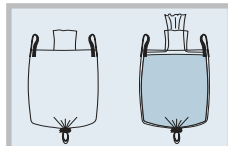
Q. How do we contain dust?  
A. An inflatable neck seal effectively contains the dust during filling. All our filling heads have an inner and outer annulus for product flow and dust evacuation respectively.



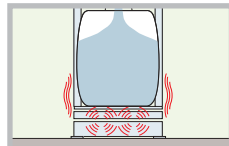
Q. Can the filling system be automated?  
A. If filling in volume, options such as pallet dispensers, automatic bag loop release, bag take-off and accumulation conveyors should be considered, and can be added at a future date to standard Spiroflow equipment.



Q. Will the equipment need to be grounded?  
A. If the area poses an explosion risk, static dissipative or groundable bags may be recommended, together with a suitable static monitoring device.



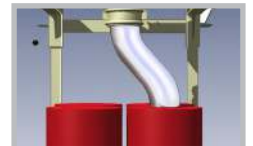
Q. Do we need a bag liner?  
A. If the product is very fine, you probably will, to prevent leakage or moisture ingress. However, various alternatives can be used such as coated bags or special bag seams. The liner must be inflated correctly to avoid creasing and subsequent discharge problems.



Q. Does the product need vibration?  
A. Usually, yes. Vibration at the base of the unit deaerates and compacts the product so it not only optimizes the bag volume, but forms a safe and stable load. A spinner head can also be used to disperse product into 'baffle' or compartmentalized bags.



Q. Is automatic loop release and height adjustment available?  
A. Yes, automatic loop release of filled bags is a useful labor saving option for pallet loaded bags. Powered height adjustment is also recommended if different sizes of bag are being filled in order to speed up the filling process.



Q. Can the equipment be adapted to fill other types of container?  
A. Yes. Spiroflow supplies a range of options for the filling of rigid bins, drums, octabins, and gaylords.

# C Series Features and Options

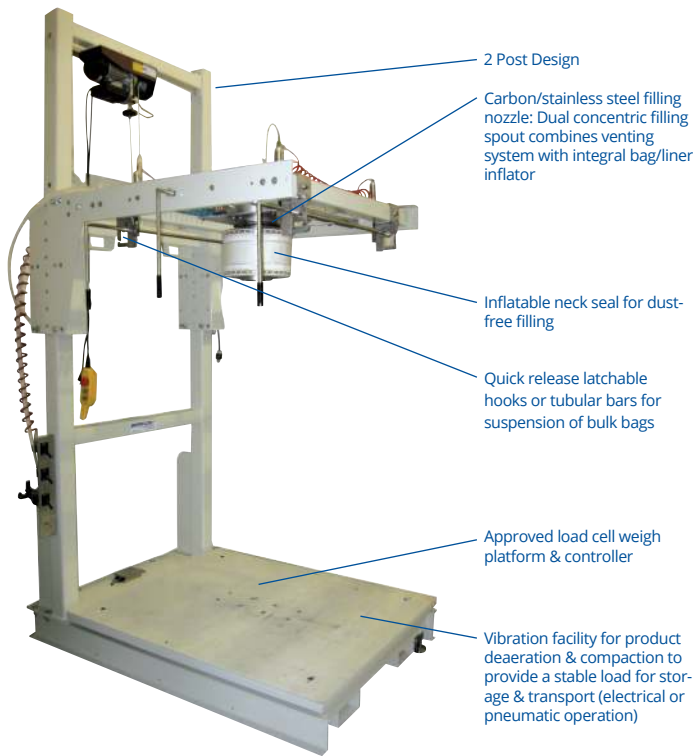
## C SERIES WEIGHT FILLERS FOR PALLET HANDLED BAGS

The competitively priced C Series fillers are the ideal solution for users with low to medium volume requirements.

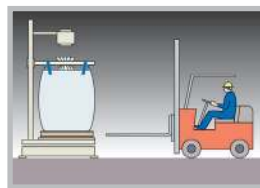
The modular construction of the C Series enables users to specify a basic unit for their initial requirements. Where future production demands determine the need for additional operational features, a full range of options is available designed to meet particular system requirements.



### Standard Features



The C1 Model is for use where bulk bags are filled on pallets and removed by fork lift truck. The base is directly mounted on an approved load cell weigh platform. Features include stop/start control by set weight, vibration for product compaction, pneumatic neck seal and venting for the air that is displaced during filling.



### Options

Model C3 with automatic height adjustment for varying bag sizes and pneumatic bag loop release system



Automatic bag loop release



- Powered roller, mesh or belt conveyor for easy removal of bulk bags
- Pneumatic bag push-off device
- Full management data on weight controller, plus printer
- Pneumatic bag loop release system
- Rigid bin or drum filling attachment
- Automatic bulk bag height adjustment
- Access platform
- Full range of filling valves to suit product
- Spinning heads to distribute product in bag
- Mobile units

**Technical Data:** Dimensions may vary according to bag size.

Height	102-134" (2600-3400mm) depending on bag size
Width	47" (1200mm)
Depth	59" (1500mm)
Fill rate (depending on bulk bag size, feed method & operator availability)	Up to 20 Bulk bags/hour
Air requirements (inflatable neck seal & bulk bag inflator) NB: Valve requirements not included	80 psi (5.5 bar) @ 30 ft <sup>3</sup> (900 litres) per cycle



# LC Series Features and Options

## LC SERIES WEIGH FILLERS FOR LOOP HANDLED BAGS

The heavy-duty LC Series is designed for users who need a heavy-duty filling rig that enables the bag to be easily removed by the loops - for instance, cement and minerals plants.

Rise and fall loop support arms with forklift truck channels accommodate various bag sizes, and allow the quick and easy removal of the bags by the loops. Options apply as with the standard C Series machines.



### Standard Features



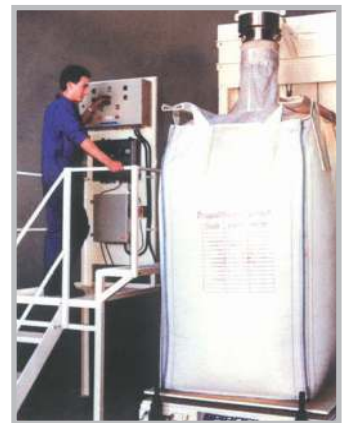
- Stainless steel filling nozzle & dual concentric filling spout combines venting system with integral bag/liner inflator
- Inflatable neck seal for dust-free filling
- Rise & fall bag loop support arms designed for quick and easy removal by forklift truck. These arms are fully adjustable to suit varying bag sizes.
- Fill rate up to 20 bulk bags per hour depending on bag size & material feed rate
- Robust weigh platform mounted on four load cells with mechanical overload protection
- Vibration facility for product deaeration & compaction to provide a stable load for storage and transport
- Electrical or pneumatic operation

The LC series is robustly built for heavy-duty operation and dust-free filling. Depending on material in-feed rate and bag size, the LC Series can fill up to 20 bags per hour. Product filling can be enhanced by way of a spinner below the filling head and deaeration is provided by vibration through the base of the filler. An ingenious mechanism raises the bag support arms as the bag is lifted by its loops to ensure adequate clearance underneath the filled bag to ensure its safe and efficient removal.



### Options

Optional equipment includes attachment for rigid and drum filling and data management on weight controller.



A wide range of bag sizes can be used for filling a variety of products.



- Full management data on weight controller, plus printer
- Rigid bin or drum filling attachment
- Access platform
- Hazard area specification
- Full range of filling valves

### Technical Data:

Height	102-134" (2600-3400mm) depending on bag size
Width	47" (1200mm)
Depth	59" (1500mm)
Fill rate (depending on bulk bag size, feed method & operator availability)	Up to 20 Bulk bags/hour
Air requirements (inflatable neck seal & bulk bag inflator) NB: Valve requirements not included	80 psi (5.5 bar) @ 30 ft <sup>3</sup> (900 litres) per cycle

# Models for Special Applications

## LOW LOADER • BULK BAGS AND/OR BAGS • BULK BAGS OR IBCS OR DRUMS

In addition to our standard ranges of weigh fillers, at Spiroflow we design and manufacture special purpose equipment for many different tasks.

### Low Loader



When filled, the bag is removed by pallet jack.

Spiroflow's low loader means bulk bags can now be removed without the need for a forklift. The low loading ramp and low profile pallet base makes unloading filled bulk bags a simple task with a pallet jack.

### Bulk Bags and/or Bags



Filling system for bulk bags and 50 lb (25kg) bags

### Bulk Bags, IBCs or Drums



Processors need to respond quickly to customer demand and be able to supply product in other kinds of containers such as rigid IBCs, drums, octabins and IBCs. With the addition of special adaptors, this can be achieved using the same filling platform, providing a versatile, multipurpose machine.

### No Job Too Big



39,700 tons (36,000 tonnes) in 27,000 bulk bags in 14 weeks!  
2 Fillers delivered & operational in 6 weeks.

### Sample Frames



Volumetric filling of dust-free, free-flowing granular materials.

### Complete Systems



This is where we excel. We take care of everything from concept to commissioning the installed system.

### Semi-automated Filling

Semi-automated bulk bag filling system gives large volume users the benefit of continuous operation without having to stop to unload each bag. Pallets are automatically fed to the filling rig and the bags are looped onto pneumatically operated hooks. Once filling is completed, the loops are automatically released and the bag is then moved along the line by a powered take-off conveyor.



### Custom Bags

Bring us your challenges, we are always willing to design and manufacture fillers to meet the specific needs of individual customers.

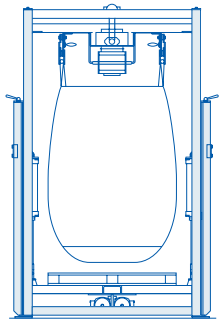


### Accurate Filling

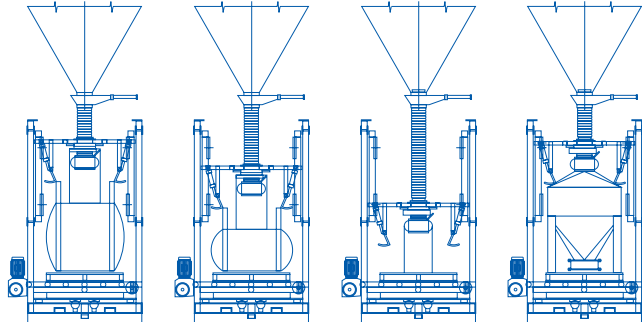
For the most accurate of fillers, we offer 'hang-weighing' which can be accurate up to +1 oz. (20g).



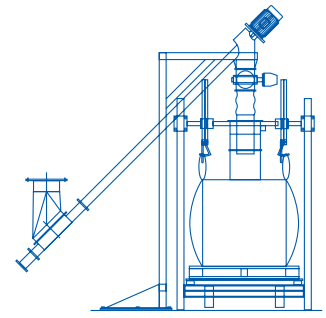
# Filling Equipment & Systems Designed to meet all Process Requirements



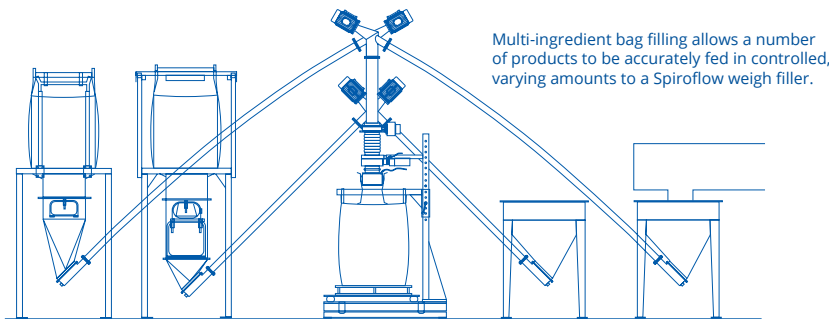
Hang weighing bulk bag filler



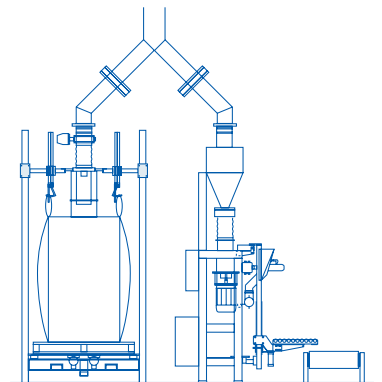
Filling station for bulk bags, drums & rigid bins



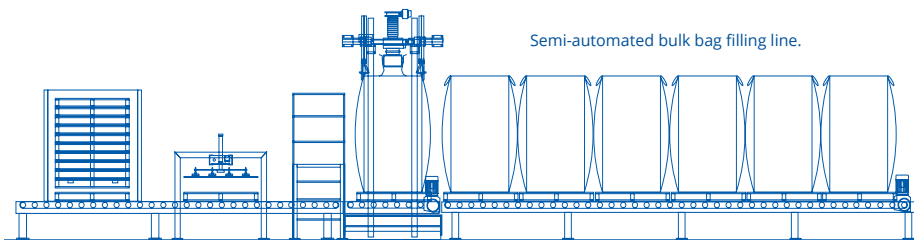
C Series bag filler with feed conveyor



Multi-ingredient bag filling allows a number of products to be accurately fed in controlled, varying amounts to a Spiroflow weigh filler.

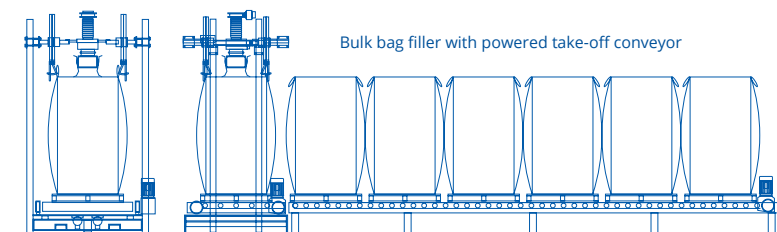


C1 Series bag filler & 50 lb (25kg) 'turbo' valve packer fed from one source via bifurcated chute

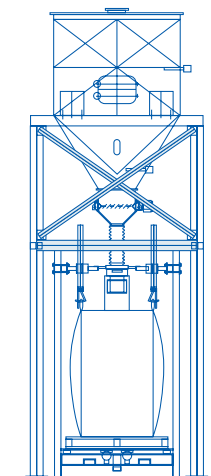


Semi-automated bulk bag filling line.

Pallet dispenser    Slip sheet dispenser    Access platform    Powered accumulation conveyor



Bulk bag filler with powered take-off conveyor



Filling machine fed directly from a silo or process vessel via bin activator



# Filling Fragile Material



The bottom of the bag is raised up to the filling head to avoid fragile products having to fall the height of an empty bag.

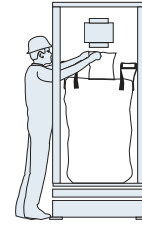


As the bag fills, material flow is regulated by its natural 'choking' action and the base of the bag is lowered at a rate that allows filling without product damage.

# Bulk Bag Filling Sequence of Operation



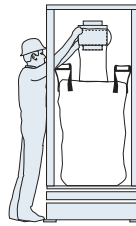
1. Bag loops are placed over support arms



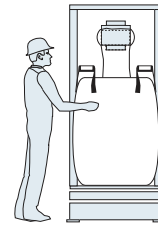
2. Bag spout & liner are opened up



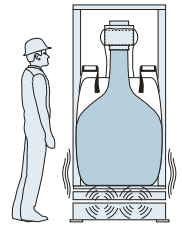
3. Liner or bag spout is attached to inflatable neck seal



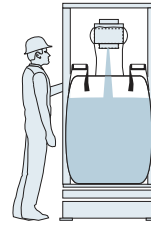
4. Neck seal is inflated to secure the liner or bag spout during filling



5. Liner/bag inflated



6. Vibration during filling



7. Filling valve closes at target weight



8. Bulk bag spout removed from filling nozzle & tied

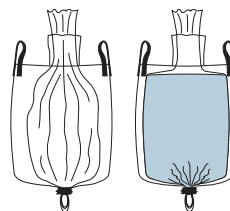
# Inflating a Bag Liner Correctly

## Correctly Filled Bags

Correctly filled bags, safe for handling, transportation and storage.



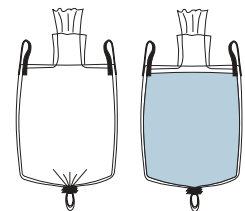
Wrong



Bulk bag liner, loose as bag supplied

Bulk bag is filled with product but due to the creased liner it is rucked over the outlet & can create discharge problems

Right



Correctly inflated liner so no rucking occurs in bulk bag or over outlet spout

Correctly filled bulk bag with no rucking in liner & over outlet spout

# Powder Handling Systems



## Design

We have an experienced team of mechanical and electrical engineers with a vast collective knowledge of solids handling, geared to handle your project quickly and efficiently, whether you need a single filling station or a complete powder handling system.

## Testing

Our fully equipped test facility, which is at your disposal, assesses performance of our machinery on your particular material. On-site trials can also be arranged if preferred.

## Manufacturing

We actively encourage customers to visit our modern manufacturing facility at any time. Here, we are able to process orders efficiently and to our high standards. We also have a similar manufacturing facility in the USA. Our systems and procedures have ISO9001:2000 accreditation.

## After sales

At Spiroflow, we firmly believe that after sales service forms an integral part of the product. Over 70% of our business comes from existing customers, whom we work with as partners from the moment of placing an order and throughout the equipment's operational life.

## Other equipment in the Spiroflow Range:

- Flexible Screw Conveyors
- Aero Mechanical Conveyors
- Tubular Drag Conveyors
- Pneumatic and Vacuum Conveyors
- Bulk Bag Dischargers
- Bag, Drum and IBC Emptiers
- Ingredients Handling Systems
- Batch and Continuous Weighing Systems
- Silo and Hopper Discharge Aids
- Continuous Mixing Systems



Flexible Screw Conveyors



Aero Mechanical Conveyors



Tubular Drag Conveyors



Vacuum Conveyors



Bulk Bag Dischargers

Contact us today to discuss your applications

**spiroflow**

Spiroflow Limited  
Lincoln Way, Clitheroe,  
Lancashire, BB7 1QG, UK  
+44 (0) 1200 422525  
sales@spiroflow.com  
www.spiroflow.com



Spiroflow Systems Inc.  
1609 Airport Road, Monroe,  
NC 28110 USA  
(1) 704 246 0900  
sales@spiroflow.com  
www.spiroflow.com

