

# Infosheet

## ProFi-Clean 90



### Entering a new dimension of autonomous filter systems

#### The new de-dusting ProFi-Clean 90 guarantees optimal process efficiency and dust free filtering.

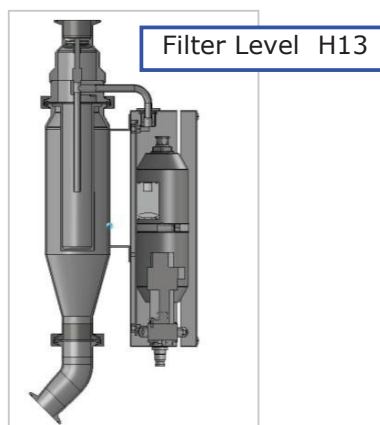
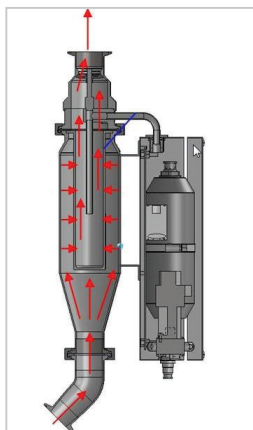
The newly developed, with patent pending „ProFi – Clean“ allows for attachment as a module onto the housing of entire Frewitt-Mill line a tri-clover clamp attachment. Easy to mount, an easy retro-fit on already delivered mills is also available. This system has already proven itself to have many advantages.

#### Wide Application Range

- The ProFi-Clean 90 can be integrated on to every Frewitt milling system.
- Metal filters as well as carton filters are easily changeable.
- Efficient in pharma, fine chemical, and food industry.

#### Advantages

- Autonomous: entire pneumatic control on the filter housing.
- Filter ATEX Zones compatible and completely grounded, with FDA certification.
- Guarantees a filtration level of OEB4



The new ProFi-Clean 90 has passed our toughest lab and production trials with flying colors. Proven and validated the ProFi-Clean 90 is ready for your requirements!

CONTACT US ABOUT YOUR REQUIREMENTS.

Frewitt USA  
Info@Frewitt-USA.com  
(908)-829-5245

Excellence in Milling and Handling of Powders